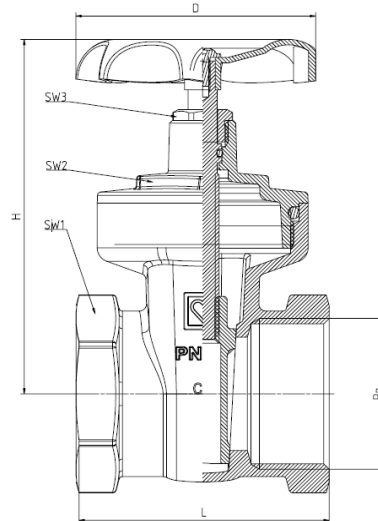


HERZ-Gate Valve

Data sheet for **4113**, Issue 0717

Dimension in mm



Order number	DN	Rp	SW1	SW2	SW3	D	H	L
1 4113 11	15	1/2	27	21	15	50	85	49,4
1 4113 12	20	3/4	32	21	15	50	89,5	52,4
1 4113 13	25	1	39	26	15	60	105,9	61
1 4113 14	32	5/4	49	37	15	60	126	69,6
1 4113 15	40	6/4	55	41	21	80	143,4	74
1 4113 16	50	2	68	41	25	105	176,5	89

Material

Body: DZR (CW 602N)
 Upper part: DZR (CW 602N)
 Handwheel: Steel, coated
 Sealing: EPDM

Technical data

Max. operating pressure: 20 bar
 Max. operating temperature: 120°C
 Connection thread: ISO 7-1 Rp

Heating water quality according to ÖNORM H5195 or VDI-Standard 2035. The use of ethylene or propylene glycol in a mixing ratio 25- 50% is allowed.

☑ Field of application

For all nonaggressive fluids for domestic, commercial and industrial applications. Suitable for hot and cold water.

O-ring sealing

The O-ring sealing guarantees certain positive sealing. A very smooth operation of the spindle can be ensured. EPDM gaskets can be affected by mineral oil lubricants and thus lead to failure of the seals.

All specifications and information within this document are reflecting the information available at the time of going to print and meant for informational purpose only. Herz Armaturen reserves the right to modify and change products as well as its technical specifications and/or its function according to technological progress and requirements. All diagrams are indicative in nature and do not to be complete. It is understood that all images of Herz products are symbolic representations and therefore may visually differ from the actual product. Colours may differ due to printing technology used. In case of any further questions don't hesitate to contact your closest HERZ Branch-Office.