

Air conditioning unit

For the air treatment
With modular sections
Indoor and outdoor installation
Airflow from 350 to 44400 l/s



The AQX air-handling units feature:

- basic modular series developed on 32 standard sizes with constant coverage from 2.2 m/s to 2.52 m/s;
- the high level of engineering of the AQX series allows, along with the 32 standard sizes, to set different frontal dimensions in order to meet specific size requirements for construction sites and handling needs, with a 50 mm pitch both in terms of height and depth;
- aluminium alloy frame with an exclusive design;
- thermal cut as standard on sections and joints between sections, thermal bridge TB3;
- concealed intermediate sections;
- thermally cut sandwich buffer panels, 50mm thick with thermoacoustic insulation made with injected polyurethane (40 kg/m³) thermal transmittance T2 or mineral wool (90 kg/m³) thermal transmittance T3;
- the internal and external sheet metal of the panels can be selected among 7 types of material with different thicknesses;
- handles for inspection doors that can also be opened from the inside;
- absolutely smooth internal surfaces to minimise dust deposits and make cleaning and disinfection easier;
- antivibration bellow supplied as standard on the fans' intake;
- the AQX units can be equipped with a vast array of filtering solutions starting from simple G2 undulated synthetic filter cells, along with a wide range of rigid pocket cells, absolute filters, automatic filters, electrostatic and active carbon filters with high and extremely high efficiency levels;
- static, rotary, run-around heat recovery systems;
- heat exchanger coils using water, direct expansion, steam, diathermal oil, electricity with 4 types of pitch versions, fins and several pipe and fin thicknesses;
- water gravity humidifying systems with pack or pump, water, compressed air, steam and air washer versions;
- aluminium or stainless steel condensate collection trays inside the panelling, insulated and tilted towards the drain;
- DIDW quality fans, with forward impeller, reversed or with a wing profile and plug-type fans;
- noise-reduction sections.



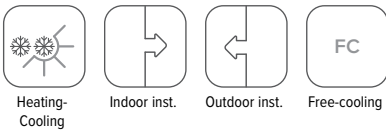
Unit listed on
www.eurovent-certification.com



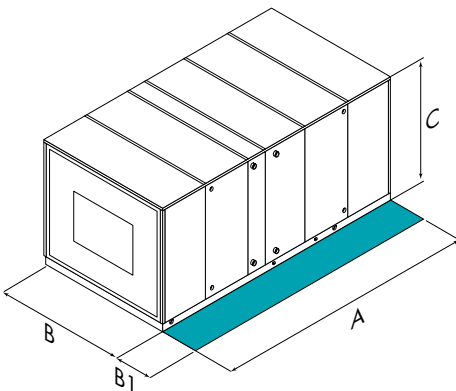
ErP compliant

Dedicated units for use in hospitals, food and electronic industries, clean rooms, etc.

functions and features



dimensions and clearances



CAUTION!
For trouble-free operation of the unit it is essential to maintain the safety distances indicated by the green areas.

SIZES - AQX		1	2	3	4	5	6	7	8	9	10	11
A - Length	mm	(*)										
B - Width	mm	770	820	920	870	920	1020	970	1020	1170	1120	1220
C - Height	mm (***)	570	570	620	720	720	720	820	820	820	920	920
B1 - Servicing space												
for inspection	mm	800	800	800	800	800	800	800	800	800	800	800
coil removal	mm	964	1034	1024	1024	1094	1187	1194	1214	1324	1284	1394
Weight in oper	kg	(**)										

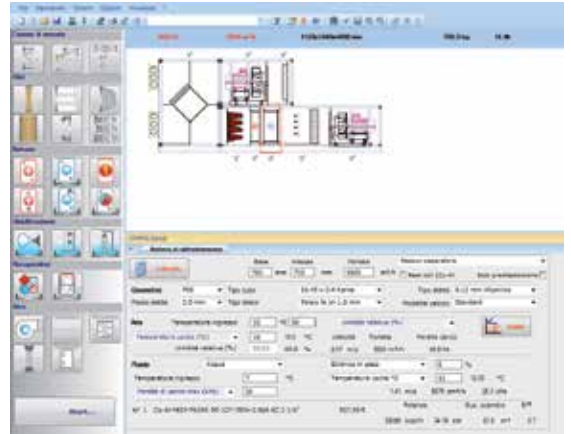
SIZES - AQX		12	13	14	15	16	17	18	19	20	21	22
A - Length	mm	(*)										
B - Width	mm	1220	1370	1370	1570	1570	1620	1770	1820	2070	2120	2220
C - Height	mm (***)	1070	1070	1170	1170	1320	1420	1420	1520	1520	1670	1770
B1 - Servicing space												
for inspection	mm	800	800	800	800	800	800	800	800	800	800	800
coil removal	mm	1524	1504	1574	1734	1744	1774	1894	2094	2324	2264	2524
Weight in oper	kg	(**)										

SIZES - AQX		23	24	25	26	27	28	29	30	31	32	
A - Length	mm	(*)										
B - Width	mm	2370	2470	2620	2820	3170	3570	4020	4570	5170	5870	
C - Height	mm (***)	1920	2020	2120	2270	2270	2270	2270	2270	2270	2270	
B1 - Servicing space												
for inspection	mm	800	800	800	800	800	800	800	800	800	800	
coil removal	mm	2524	2594	2744	3074	3444	3874	4364	4924	5564	6304	
Weight in oper	kg	(**)										

(*) Length A depends on the specific configuration.
(**) Operating weight depends on the specific configuration.
(***) Height without base. Standard base = 140 mm
The above data refer to standard units.

selection software

The air handling units selection software allows to size the units and to have immediately the complete technical offer with executive drawings, technical data sheets and list of main components and materials used.



technical data

SIZE - AQX		1	2	3	4	5	6	7	8	9	10	11
Air flow	(1) l/s	414	473	544	624	714	816	938	1073	1223	1404	1602

SIZE - AQX		12	13	14	15	16	17	18	19	20	21	22
Air flow	(1) l/s	1838	2111	2412	2760	3159	3630	4156	4752	5445	6245	7156

SIZE - AQX		23	24	25	26	27	28	29	30	31	32
Air flow	(1) l/s	8190	9383	10751	12315	14101	16167	18513	21191	24276	27821

Notes:

(1) Air passage speed on the heat exchange coils 2.5 m/s

accessories

The air treatment units of the AQX series are available with a vast range of accessories that can be selected directly with the selection software.

A few of the most common accessories are listed below:

- Weatherproof roof and control protection technical compartment;
- Weatherproof covers on the external air inlets and outlets
- Safety device for moving components
- Spotlights and viewing panel
- Inverters on the fan motors

Other accessories not found in the basic selection can be assessed on request.